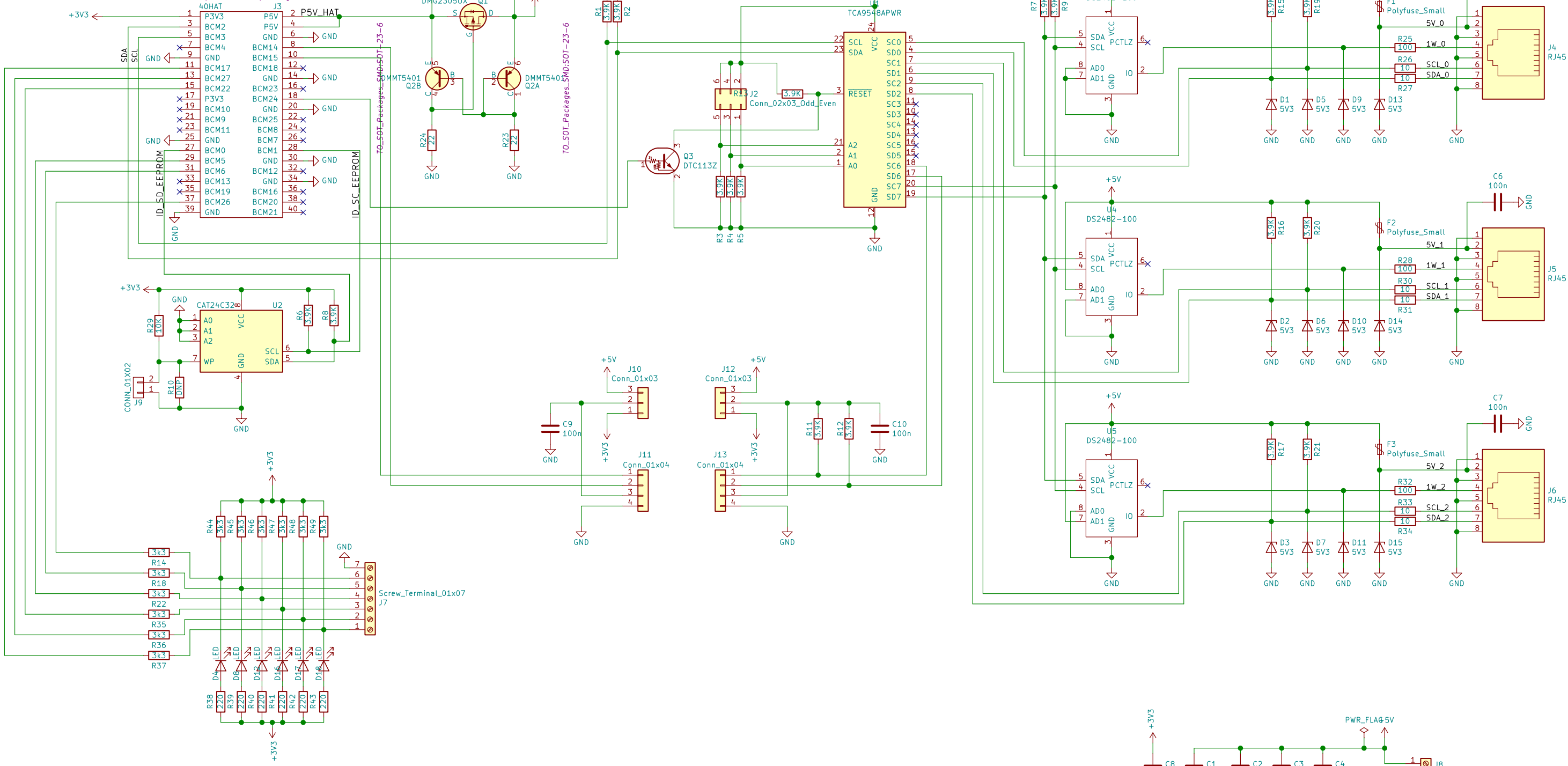
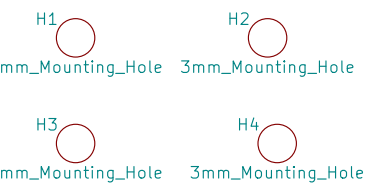


40-Pin HAT Connector

Socket_Strips:Socket_Strip_Straight_2x20



Mounting Holes



Sokken in Sandalen bvba		
Sheet: /		
File: RPI-I2C-1Wire.sch		
Title: Raspberry Pi I2C and OW breakout board		
Size: A3	Date:	Rev: A
KiCad E.D.A. kicad 5.0.2-bee76a070ubuntu18.04.1		Id: 1/1